

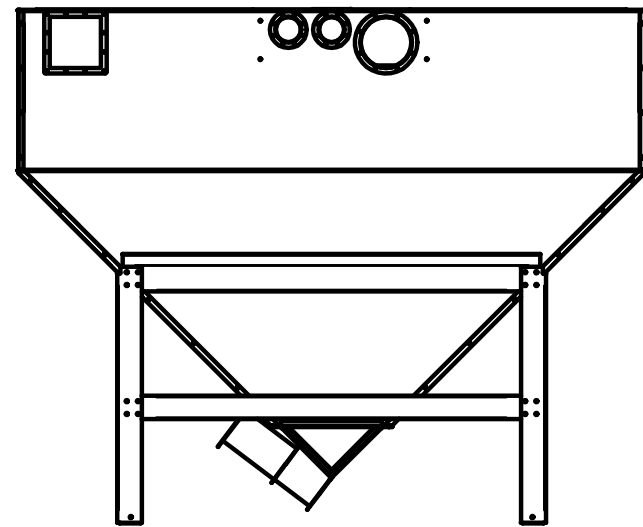
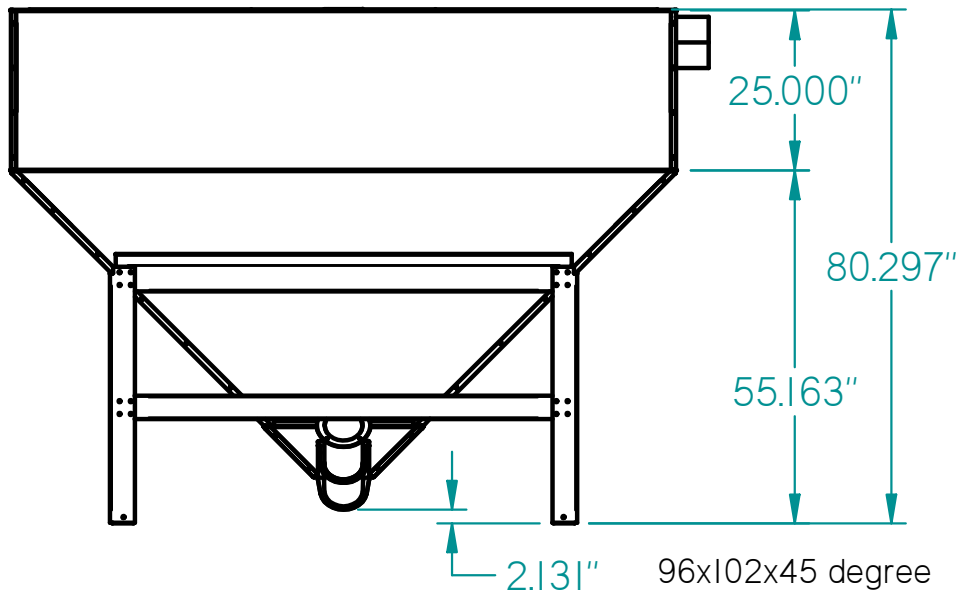
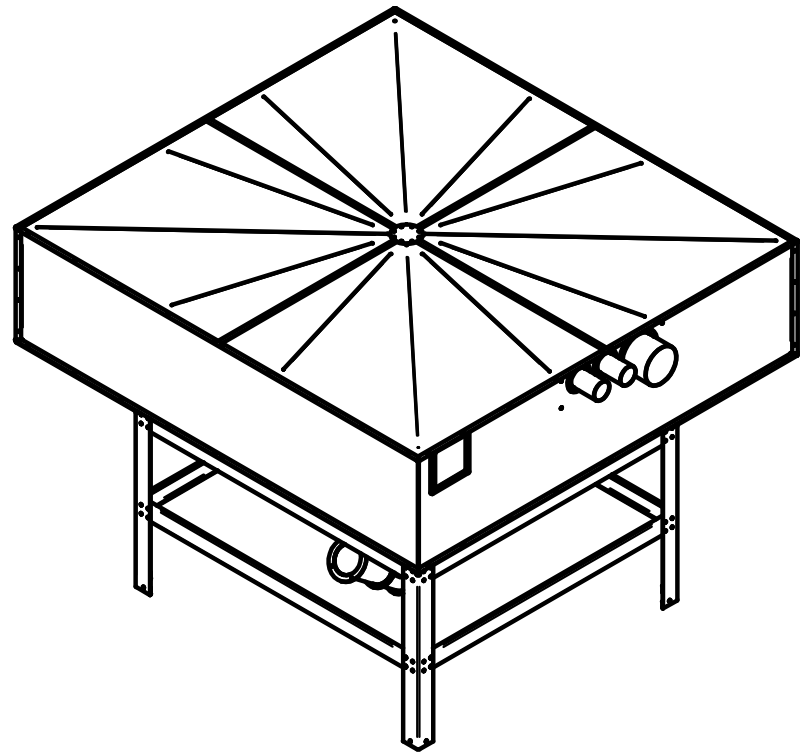
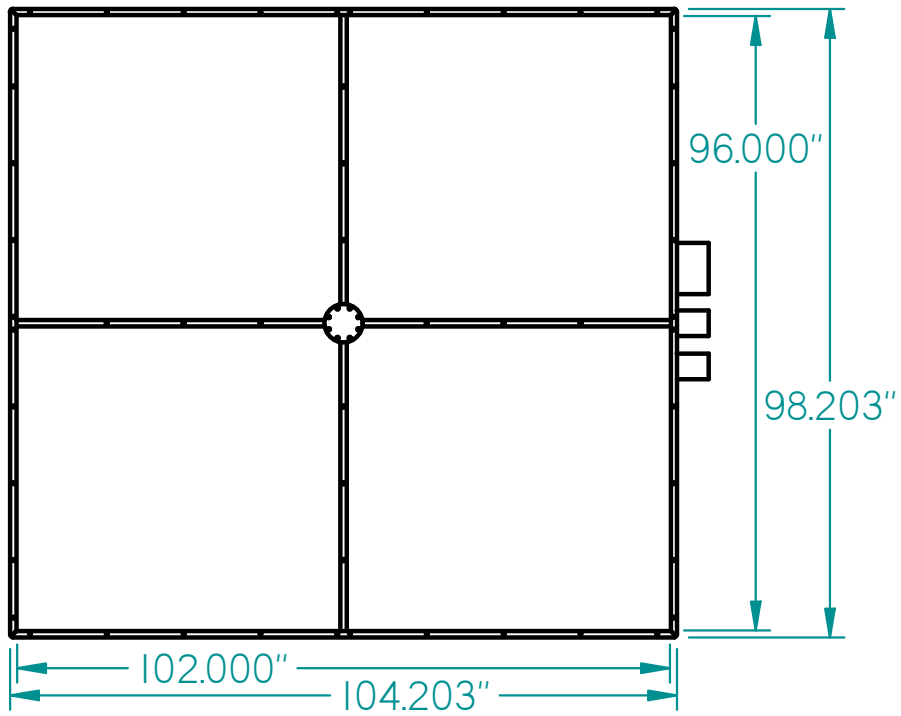
96x102x45 degree

300-000-0332-1

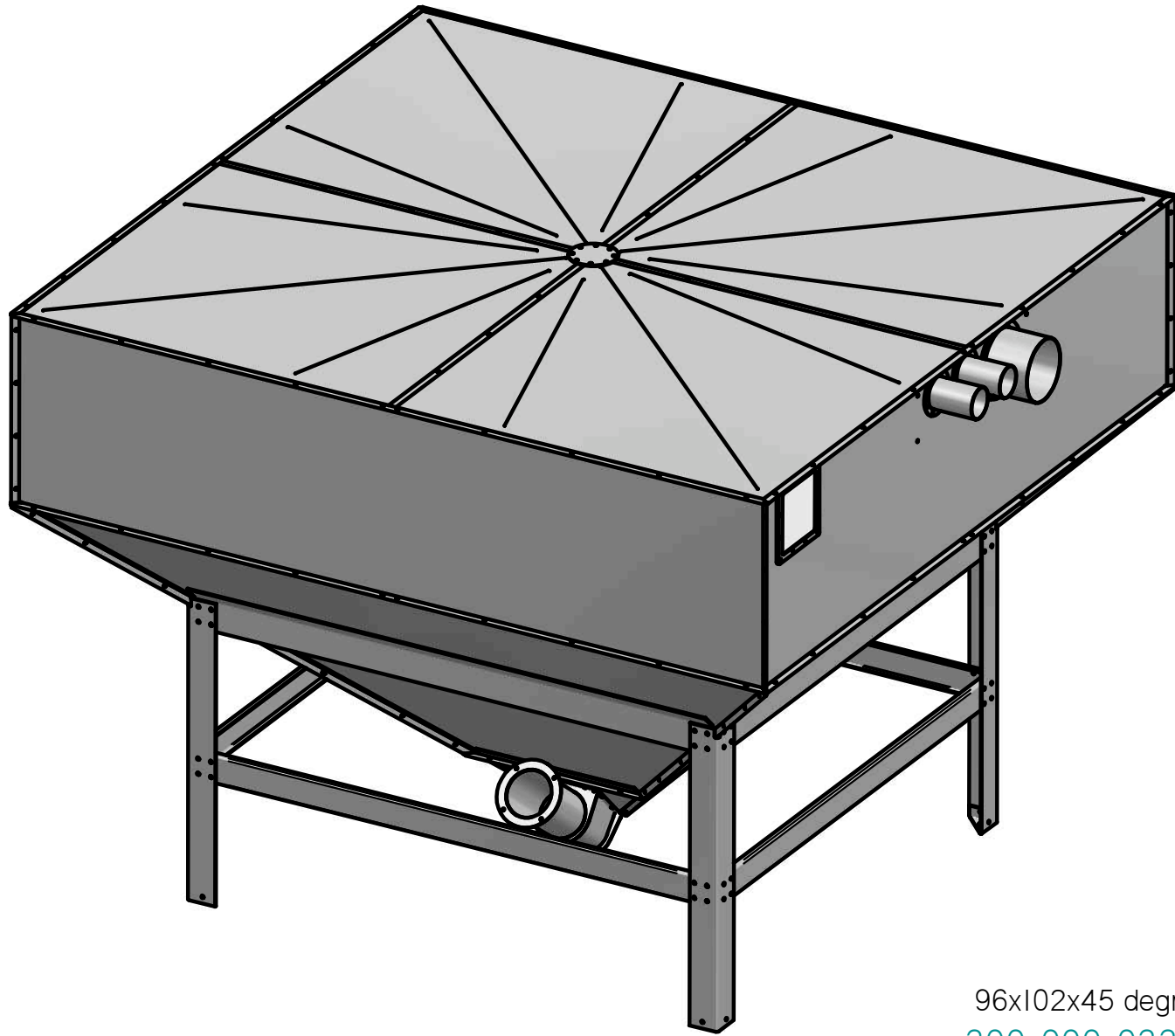
THIS DRAWING IS THE PROPERTY OF BUSHNELL ILLINOIS TANK CO. AND IS NOT TO BE
 REPRODUCED WITHOUT THE WRITTEN PERMISSION OF BUSHNELL ILLINOIS TANK CO.
 P.O. BOX 179 - 650 WEST DAVIS STREET
 BUSHNELL, IL 61422
 309-772-3106

Item	Part Num	Description	Qty
41	200-000-2122	flange add on, main hopper short, fuel bin	2
40'	200-000-2121	flange add on, main hopper long, fuel bin	2
39	200-000-2120	bottom hopper u-strip right, square & rect. fuel bin	2
38	200-000-2119	bottom hopper u-strip left, square & rect. fuel bin	2
37	200-000-2118	flange angle right, bot. hopper end	2
36'	200-000-2117	flange angle left, bot. hopper end	2
35	200-000-2116	vent shield, square & rect. fuel bin	1
34	200-000-2115	fill nozzle tube, square & rect. fuel bin	1
33	200-000-2114	window, square & rect. fuel bin	1
32	200-000-2113	window frame, square & rect. fuel bin	1
31	200-000-2112	vent nozzle tube, square & rect. fuel bin	1
30	200-000-2111	vent flange, square or rect. fuel bin	1
29	200-000-2110	return nozzle tube, square & rect. fuel bin	1
28	200-000-2109	nozzle flange, fill & return, square or rect. fuel bin	2
27	200-000-2107	25" side panel (short) for nozzles, 96x102x45 deg. rect. fuel bin	1
26	200-000-2106	u strip for 25" side panel, 96x102x45 fuel bin	4
25"	200-000-2105	25" side panel (short), 96x102x45 deg. rect. fuel bin	1
24'	200-000-2104	25" side panel (long), 96x102x45 deg. rect. fuel bin	2
23	200-000-2101	sensor plate, fuel bin	1
22'	200-000-2100	end panel, bottom hopper, square & rect. fuel bin	2
21	200-000-2099	trough, bottom hopper, square & rect. fuel bin	1
20	200-000-2098	main hopper (short), 96x102 fuel bin	2
19	200-000-2097	main hopper (long), 96x102 fuel bin	2
18	200-000-2096	main hopper to lower hopper u-strip (short), fuel bin	2
17'	200-000-2095	main hopper to lower hopper u-strip (long), fuel bin	2
16	200-000-2094	main hopper to main hopper corner u-strip, 96x102 fuel bin	4
15	200-000-2090	top to side u-strip (short), 96x102 fuel bin	4
14	200-000-2089	top to side u-strip (long), 96x102 fuel bin	4
13	200-000-2088	top panel 2, 96x102 fuel bin	2
12	200-000-2087	top panel 1, 96x102 fuel bin	2
11	200-000-2086	base plate, square & rect. fuel bin	4
10	200-000-2085	leg, square & rect. fuel bin	4
9"	200-000-2084	bot frame rail (short), square & rect. fuel bin	2
8	200-000-2083	bot frame rail (long), square & rect. fuel bin	2
7	200-000-2082	top frame rail (short), square or rect. fuel bin	2
6	200-000-2081	top frame rail (long), square or rect. fuel bin	2
5	200-000-2080	auger receiver bottom end	1
4	200-000-2079	auger receiver top end	1
3	200-000-2078	auger receiver tube	1
2	200-000-2077	auger receiver body	1
1	200-000-2021	auger receiver flange, square & rect. pellet bin	1

96x102x45 degree

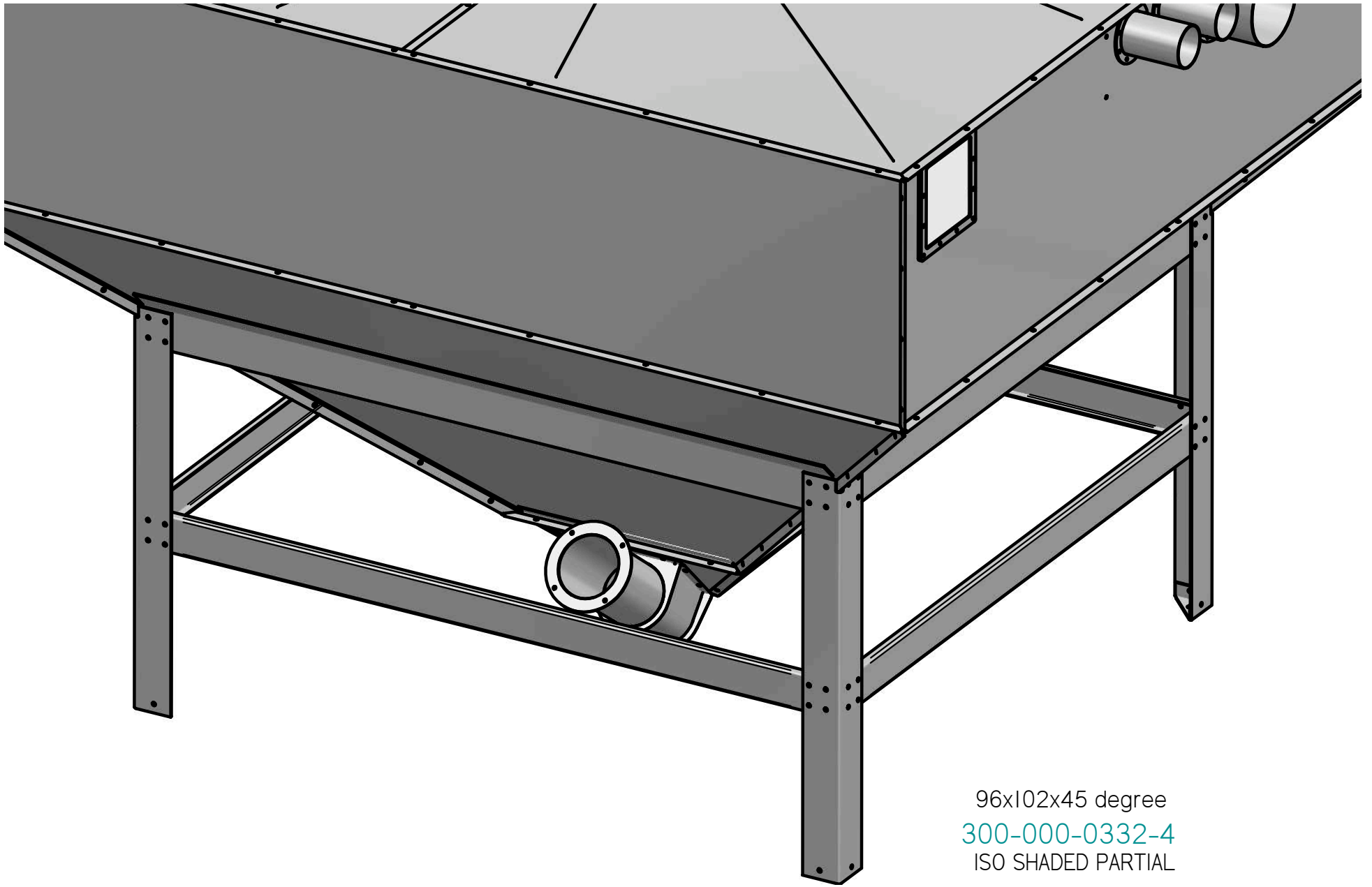


THIS DRAWING IS THE PROPERTY OF BUSHNELL ILLINOIS TANK CO. AND IS NOT TO BE REPRODUCED WITHOUT THE WRITTEN PERMISSION OF BUSHNELL ILLINOIS TANK CO.
P.O. BOX 179 - 650 WEST DAVIS STREET
BUSHNELL, IL 61422
309-772-3106



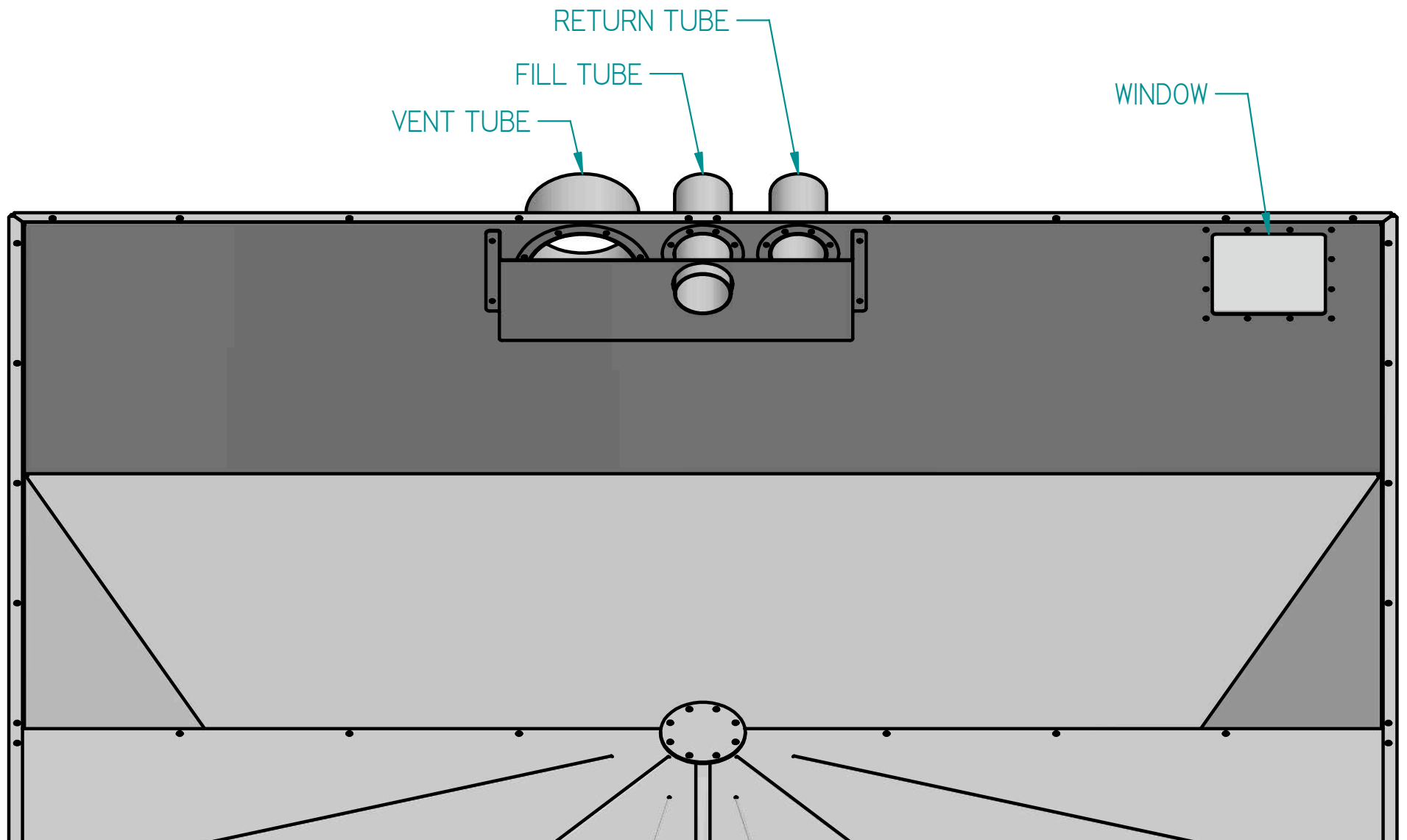
96x102x45 degree
300-000-0332-3
ISO SHADED COMPLETE

THIS DRAWING IS THE PROPERTY OF BUSHNELL ILLINOIS TANK CO. AND IS NOT TO BE
REPRODUCED WITHOUT THE WRITTEN PERMISSION OF BUSHNELL ILLINOIS TANK CO.
P.O. BOX 179 - 650 WEST DAVIS STREET
BUSHNELL, IL 61422
309-772-3106



96x102x45 degree
300-000-0332-4
ISO SHADED PARTIAL

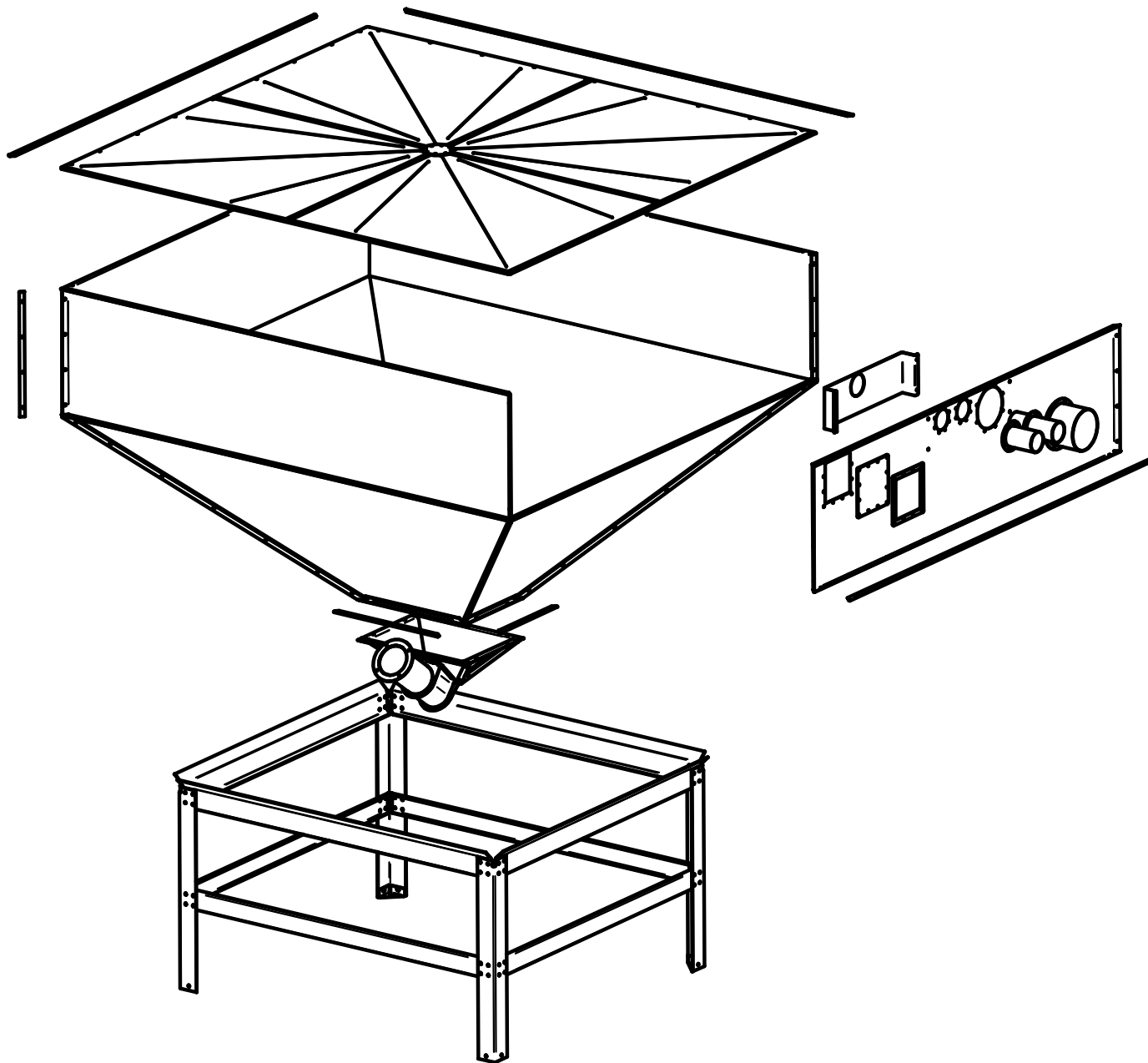
THIS DRAWING IS THE PROPERTY OF BUSHNELL ILLINOIS TANK CO. AND IS NOT TO BE
REPRODUCED WITHOUT THE WRITTEN PERMISSION OF BUSHNELL ILLINOIS TANK CO.
P.O. BOX 179 - 650 WEST DAVIS STREET
BUSHNELL, IL 61422
309-772-3106



VENT, FILL, RETURN & WINDOW DETAIL
VIEW FROM INSIDE THE BIN WITH 2 TOP
COVERS REMOVED

96x102x45 degree
300-000-0332-5

THIS DRAWING IS THE PROPERTY OF BUSHNELL ILLINOIS TANK CO. AND IS NOT TO BE
REPRODUCED WITHOUT THE WRITTEN PERMISSION OF BUSHNELL ILLINOIS TANK CO.
P.O. BOX 179 - 650 WEST DAVIS STREET
BUSHNELL, IL 61422
309-772-3106



96x102x45 degree

300-000-0332-6

THIS DRAWING IS THE PROPERTY OF BUSHNELL ILLINOIS TANK CO. AND IS NOT TO BE
REPRODUCED WITHOUT THE WRITTEN PERMISSION OF BUSHNELL ILLINOIS TANK CO.
P.O. BOX 179 - 650 WEST DAVIS STREET
BUSHNELL, IL 61422
309-772-3106